

Revision Notes				
R1 -				
APA -	Drawn--	Checked--	Approved--	Date: -

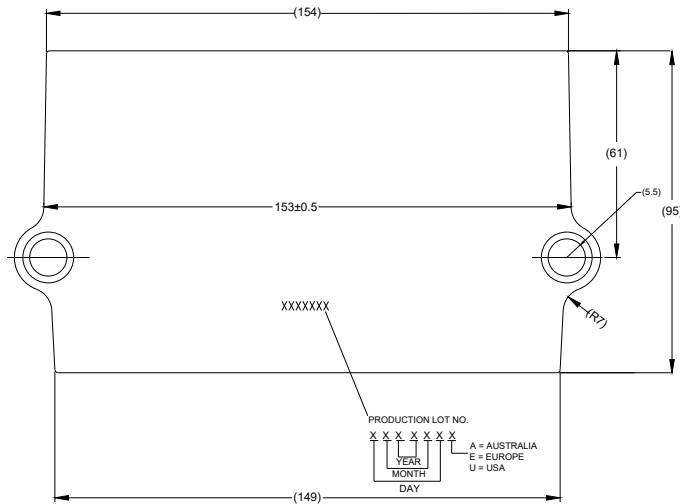
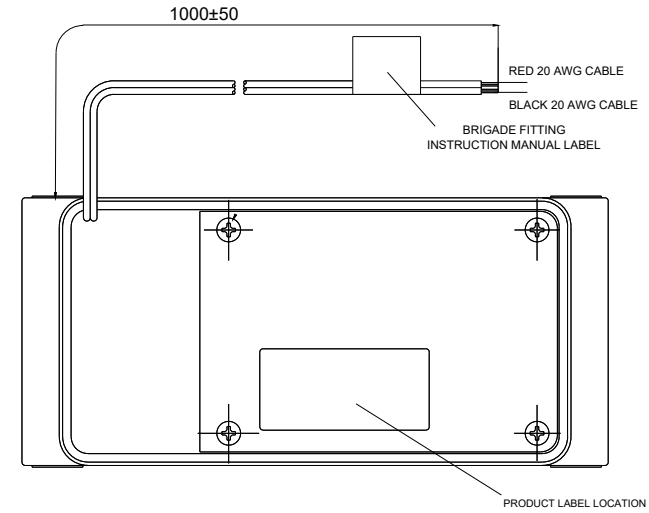
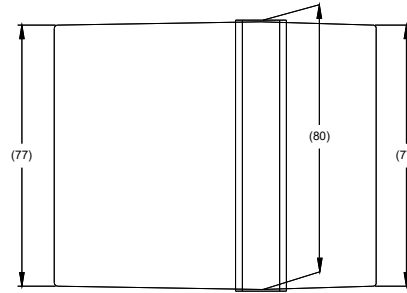
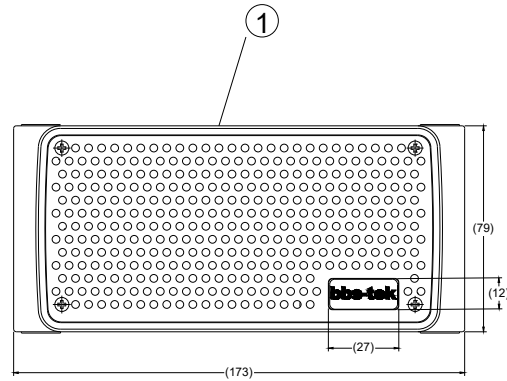


TABLE 1: CONTENTS TABLE

ITEM	PART NO.	MODEL NO.	DESCRIPTION
①	8315	BBS-107-A	BBS-TEK 107dB (12-24v) - ALARM ONLY
②	1512	BACKALARM WARNING LABEL	BA WARNING LBL (NOT SHOWN)
③	3587	SBA-IG	BACKALARM INSTALLATION GUIDE (NOT SHOWN)

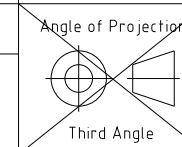
NOTES:

- FINISH IS BLACK
- MATERIAL : PA6
- FOR LABEL AND PACKAGING DETAILS REFER TO MASTER BOM.
- ANY CUSTOMER MODIFICATION OF THIS PRODUCT CAUSING SUBSEQUENT FAILURE IS NOT A LIABILITY OF BRIGADE ELECTRONICS PLC.

PROPRIETARY NOTICE

THIS DESIGN AND TECHNICAL INFORMATION APPEARING ON THIS DRAWING IS THE PROPERTY OF BRIGADE ELECTRONICS, AND IS DISCLOSED IN CONFIDENCE. IT IS NOT TO BE COPIED, REPRODUCED, REVEALED TO OR EXPROPRIATED BY OTHERS, EITHER IN WHOLE OR IN PART WITHOUT THE EXPRESS WRITTEN CONSENT OF BRIGADE ELECTRONICS.

Brigade
brigade-electronics.com



Sheet 1 of 1	Assembly Pl Approval W. FUKUZAWA	Approved by A. KEBEDE	Checked by L. CHEUNG	Drawn by E. MATHEW
Customer Approval -	Units mm	Scale N/A	Released 15/04/2025	Assembly Ref -
Status RELEASED		BBS-107		
Part No 0899C		BE-005033-00-25		